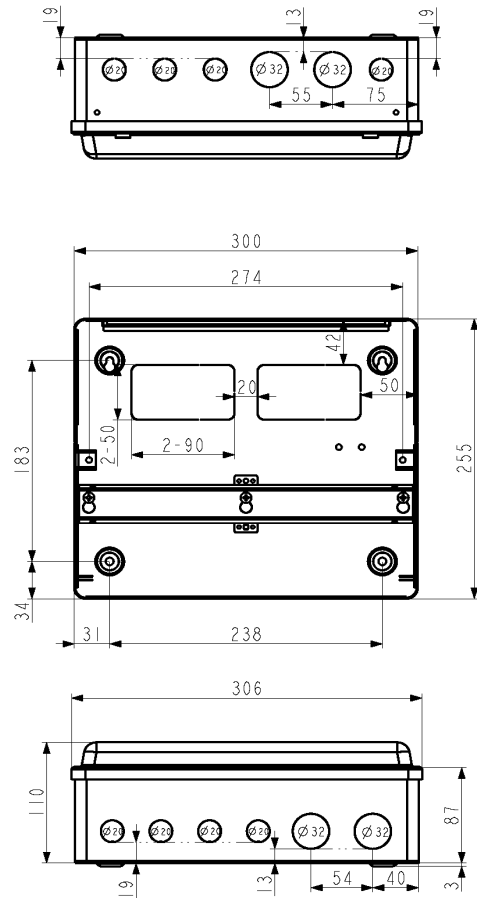


		DUAL RCD (TYPE A) WITH T2 SPD							
		6	10	10	16		27		
		F2006DXA	F2010DXA	F2010DX100	F2016DX100		F2027DX100		
NUMBER OF USABLE WAYS									
PART NUMBER WITH T2 SPD		5060523524211	5060523524396	5060523524228	5060523524167		5060523524105		
GTIN-13									
INNER CARTON QUANTITY		1	1	1	1		1		
OUTER CARTON QUANTITY		4	4	4	4		2		
DIMENSION DRAWING		14P	18P	18P	24P		36P		
WEIGHT (1PC) Kg		4.8	5	5	5.5		8		
DIMENSIONS (HxWxD)mm		259x306x113	259x378x113	259x378x113	259x486x113		512x378x113		
RCD (TYPE A)		2x 80A 30mA	2x 80A 30mA	2x 100A 30mA	2x 100A 30mA		2x 100A 30mA		
DOUBLE BANK		N	N	N	N		Y		
TAIL CLAMP INCLUDED (ACCF)		Y	Y	Y	Y		Y		
STANDARD								EN 61439-3	
RATED VOLTAGE (Un/AC)								230V	
FREQUENCY (Hz)								50/60	
PROTECTION DEGREE (IP)								2XC	
MAXIMUM TERMINAL BAR CAPACITY								16mm ²	
TERMINAL BAR TIGHTENING TORQUE (Nm)								2.0	
MOUNTING								35mm DIN RAIL	
MATERIAL								1mm ELECTRO GALVANISED STEEL (ZINC)	
FINISH								RAL 9001 POWDER COATED SMOOTH FINISH	
KNOCKOUTS								SELECTION 20mm - 40mm	
ACCESSORY PACK								CIRCUIT IDENTIFICATION LABELS / GROMMET STRIP	
ORIGIN OF MANUFACTURE								CHINA	

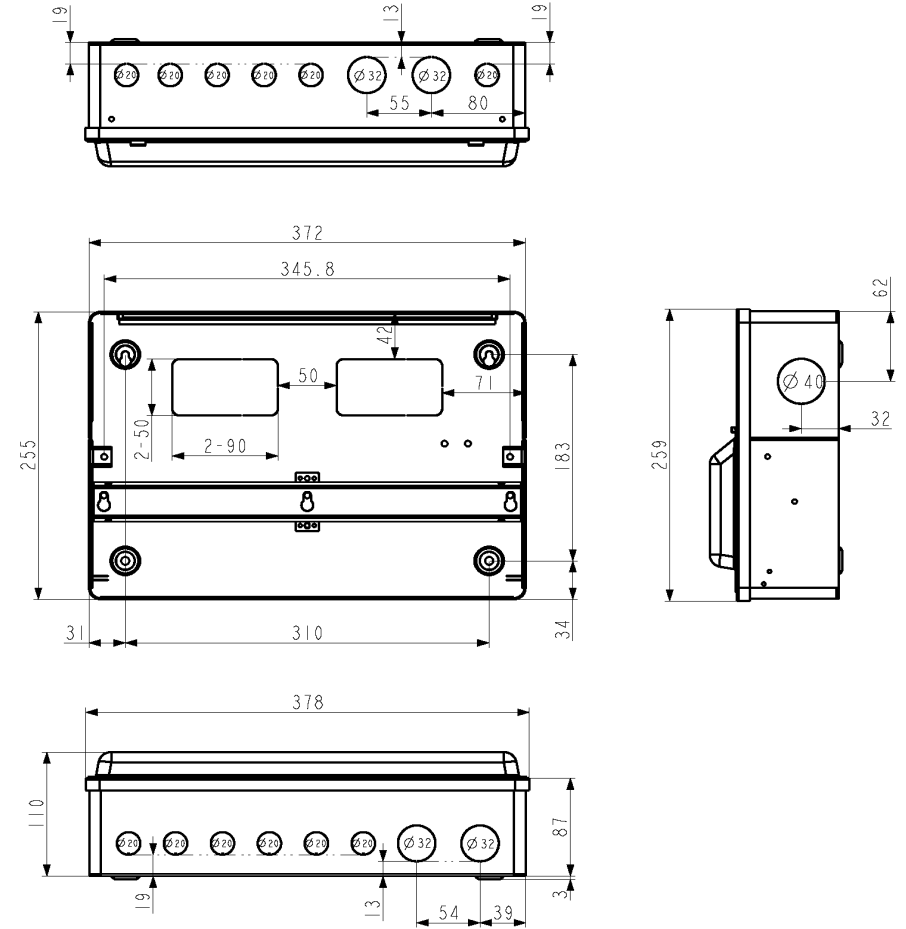


DIMENSIONS

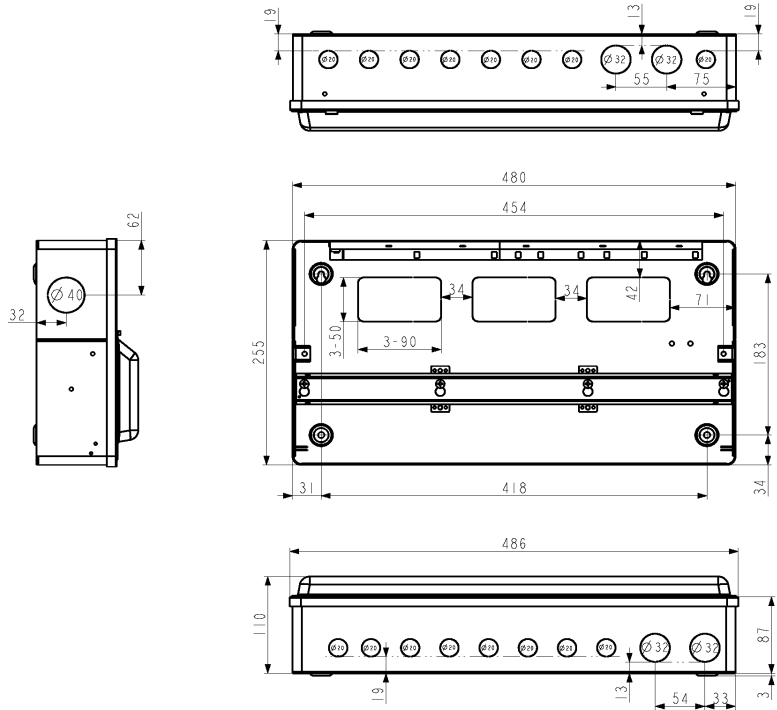
14P



18P



24P



36P

